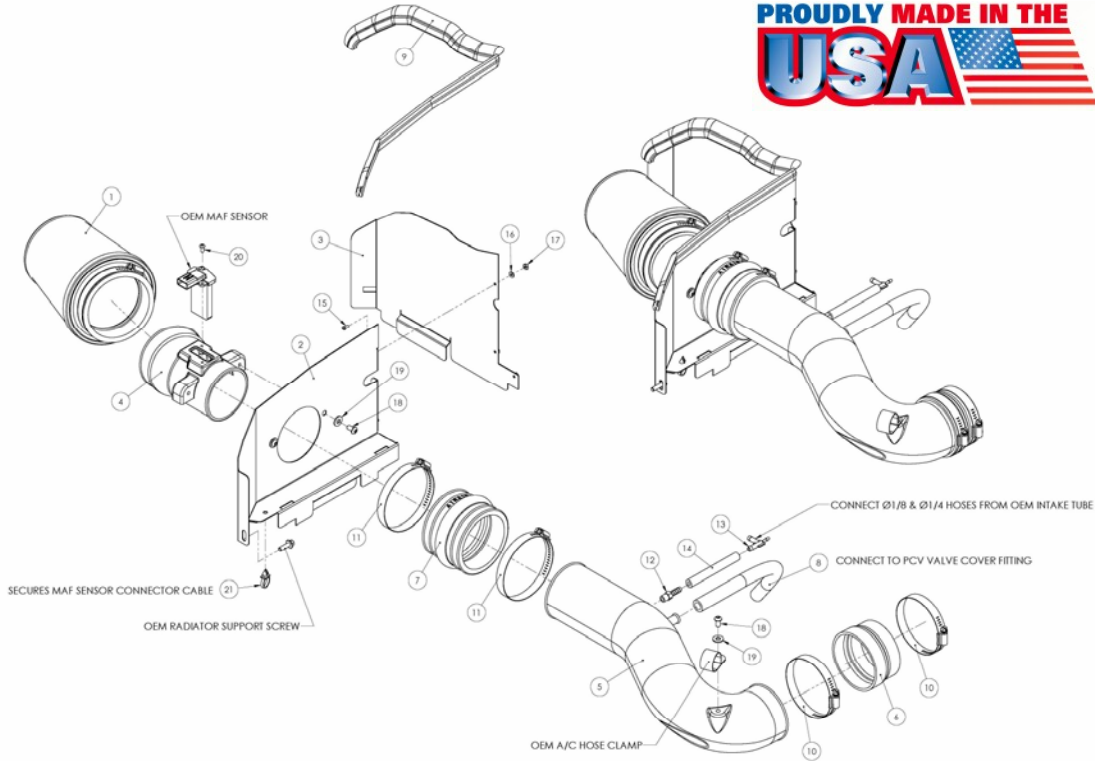


AIRRAID®

INTAKE SYSTEMS



Installation Instructions
Part Number 510-173
2005-06 Toyota Tundra / Sequoia
4.7L V-8

Packing List:

#1	700-458	Airaid Premium Filter	1
#2	KIT181MAFC	MAF Panel	1
#3	KIT181BPC	Back Panel	1
#4	KIT181A	MAF Adapter	1
#5	KIT981T	Modular Intake Tube	1
#6	KITRDCR04	Reducer Coupler	1
#7	KITHUMPHS03	Urethane Hump Hose	1
#8	KITHOSE01	1/2" x 13" Breather Hose	1
#9	KITWSTRIP02	Weather Strip 26 3/4"	1
	KIT173HP	Hardware & Instructions	1
#10	KITHS52	#52 Hose Clamp	2
#11	KITHS60	#60 Hose Clamp	2
#12	KITFITTING10	1/4" Barb x 1/8" NPT	1
#13	KITFITTING11	1/4" x 1/4" x 1/8" Vacuum Tee	1
#14	KITHHOSE03	1/4" x 4" Hose	1
#15	KIT6C31MXPPZ	6-32 x 5/16" Screw	3
#16	KIT6NWSAPZ	#6 Flat Washer	3
#17	KIT6CNKEPZ	6-32 Keps Nut	3
#18	KIT15DHC3050	1/4 - 20 Button Head Bolt	3
#19	KIT09FWZ019	1/4" Flat Washer	3
#20	KIT10BHCP38	8-32 x 3/8" Button Head Bolt	2
#21	KIT131MOUNT	Hose Mount	1

Tools Required For Installation:

5/32" Allen Wrench & 3/32" Allen Wrench
 5/16" Socket & 10mm Socket
 Ratchet & Extension
 Phillips Screwdriver
 7/16" Wrench



1. Stage I

Disconnect the negative battery cable.

Remove the 2 screws and remove and set aside the Mass Air Flow (MAF) sensor from the factory airbox. Unclip the wiring harness from the intake tube. (See arrow)



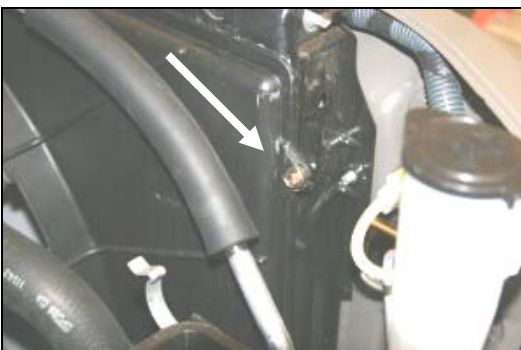
2. Loosen the hose clamp where the intake tube connects to the airbox.



3. Unlatch the 4 clips on the factory airbox.



4. Remove the factory airbox lid, and filter.



5. Remove the fan shroud bolt on the passenger side of the radiator, save for reuse.



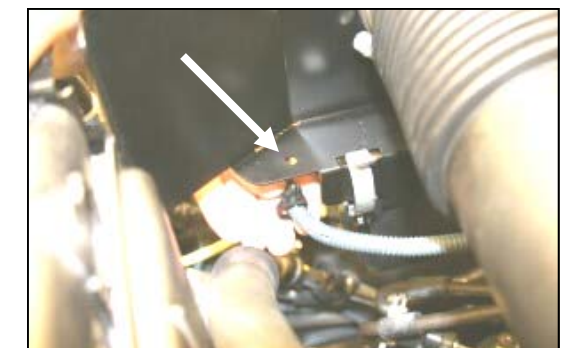
6. Assemble the Airaid Cool Air Dam (CAD) panels (#2, #3) using three 6-32 x 5/16" screws (#15), #6 flat washers (#16), and 6-32 keps nuts (#17). Install the MAF adapter (#4) using two 1/4 - 20 button head bolts (#18), and 1/4" flat washers (#19).



7. Slip the MAF adapter into the factory intake tube while installing the CAD onto the top of the factory airbox. Adjust for fit, and re-latch the three factory clips onto the factory airbox. Tighten the hose clamp on the intake tube. Replace the fan shroud bolt that was removed in step #5.



8. Re-route the MAF sensor wiring harness under the intake tube, and around the front of the airbox. Install the MAF sensor into the MAF adapter, using two 8-32 button head screws (#20). **DO NOT USE THE FACTORY SCREWS!**



9. Slip the hose mount (#21) over the MAF sensor wiring harness, and into the hole in the bottom of the CAD. This will keep the harness from chafing.



10. Install the Airaid Premium Filter (#1) onto the MAF adapter. Next install the weather strip (#9) onto the CAD as shown. Start at the front, next to the radiator, and work your way towards the back.



13. Using a 10mm socket, remove the two nuts, and the beauty cover from the top of the engine. Remove one bolt thru the Adel clamp that holds the air conditioning hose to the intake tube. Loosen the hose clamps on each end of the factory intake tube.



16. Install the 1/4" Barb x 1/8" NPT fitting (#12) into the Modular Intake Tube (MIT) as shown, and then slide the 1/4" x 4" hose (#14) over the fitting.

11. Stage II

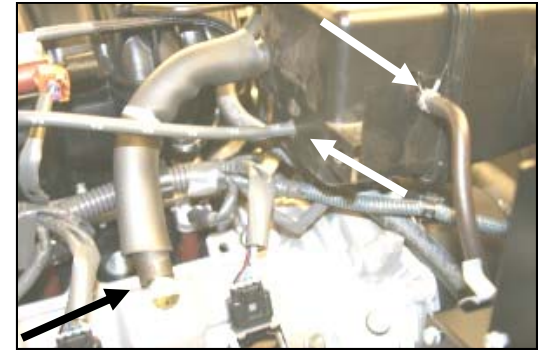
For maximum airflow and aggressive sound from your vehicle, proceed with installing the Airaid Modular Intake Tube (#5). The MIT can be added or taken off of the vehicle at any time depending on your preference. If you choose not to install the MIT, skip to step #19 below.



14. Remove the factory intake tube.



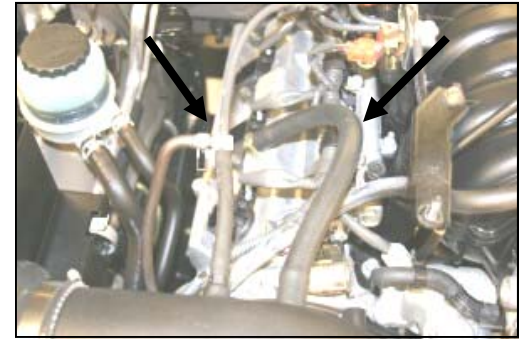
17. Install the MIT (#5) into the urethane hump hose (#7), and then into the reducer coupler (#6). Adjust the MIT snugly against the throttle body, and tighten all 4 hose clamps. Install one 1/4 - 20 button head bolt (#18), and 1/4" flat washer (#19), thru the Adel clamp and into the MIT to hold the air conditioning hose.



12. Disconnect the breather hose from the valve cover. Disconnect the 1/8" vacuum line, and the 1/4" vacuum line from the back of the factory intake tube.



15. Install the urethane hump hose (#7) onto the MAF adapter (#4) with two #60 hose clamps (#11). Install the reducer coupler (#6), small end first, onto the throttle body with two #52 hose clamps (#10).



18. Install the 1/4" x 1/4" x 1/8" vacuum tee (#13) into the 1/4" x 4" hose (#14), and reconnect the factory 1/4" and 1/8" vacuum lines to the tee as shown. Install the 1/2" x 13" breather hose (#8) onto the valve cover and onto the MIT as shown.

19. Double check your work!

Make sure there is no foreign material in the intake path. Make sure all clamps, hoses, bolts, and screws are tight.

20. Reconnect the negative battery cable!

Thank you for purchasing the Airaid Intake System. Contact Airaid @ (800) 498-6951 8:00 AM - 5:00 PM MST weekdays for questions regarding fit or instructions that are not clear to you. Your Airaid Intake System was carefully inspected and packaged. Check that no parts are missing, or were damaged during shipping. If any parts are missing, contact Airaid. The air filter element is protected from direct exposure to water and debris; care should be taken not to drive through deep water. WATER INGESTION IS THE DRIVERS RESPONSIBILITY! The air filter is reusable and should be cleaned using the Airaid Filter Tune-Up Kit periodically.

Before!



After!



Don't Forget Your AIRAID Filter Tune-Up Kit!

P/N 790-551 Aerosol Spray
P/N 790-550 Squeeze Spray



Instructions Revision
Date: 06/20/07