

AIRRAID®

INTAKE SYSTEMS

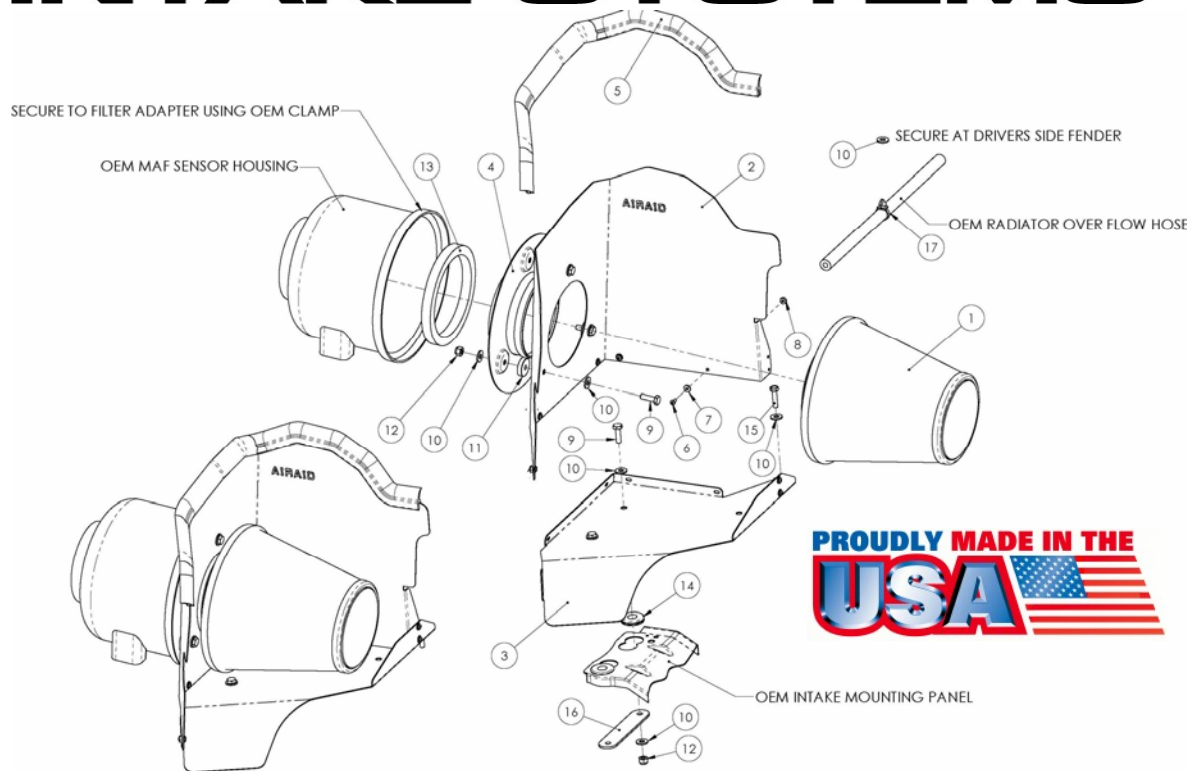
Installation Instructions
Part Number 400-141-1
2005-08 Ford F-150 4.2L V-6
2004-08 Ford F-150 4.6L V-8
****Does Not Fit Heritage Body****

Packing List:

#1	700-445	Airaid Premium Filter	1
#2	KIT1411MAFC	MAF Panel	1
#3	KIT1411BPC	Bottom Panel	1
#4	KIT114FAC	Filter Adapter	1
#5	KITWSTRIP02	Weather Strip 24 3/4"	1
	KIT1411HP	Hardware & Instructions	1
#6	KIT6C31MXPPZ	6 - 32 x 5/16" Screw	7
#7	KIT6NWSAPZ	#6 Flat Washer	7
#8	KIT6CNKEPZ	6-32 Keps Nut	7
#9	KIT25C87HCSS	1/4 - 20 x 7/8" Bolt	5
#10	KIT09FWZ019	1/4" Flat Washer	12
#11	KIT114B	Bushing	3
#12	KIT25CNNES	1/4 - 20 Locknut	5
#13	KIT114G	Gasket 4.5"	1
#14	KITGRMT05	Rubber Grommet	2
#15	KIT60C250HCS	M6 - 1 x 25 Hex Bolt	1
#16	KIT115B	Long/Narrow Bracket	1
#17	KIT131MOUNT	Black Plastic Hose Mount	1

Tools Required For Installation:

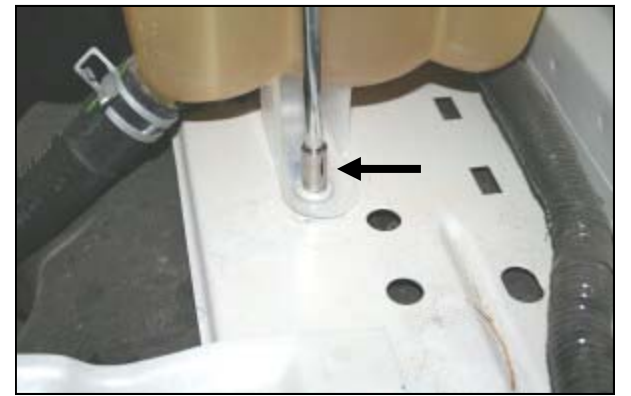
Phillips & Flat Blade Screwdrivers
 5/16", 7/16", 10mm Socket
 7/16" wrench
 Ratchet & Extension



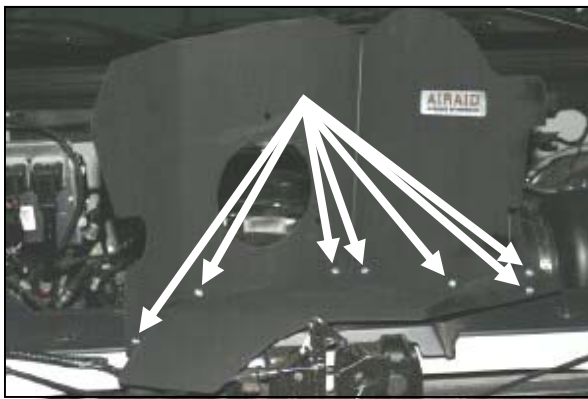
1. Disconnect the negative battery cable.
 Unclip the factory airbox from the factory Mass Air Flow (MAF) sensor housing.



2. Remove the factory air filter and airbox from the vehicle. Pull straight up on the airbox, to release it from the grommets, and then remove the airbox inlet from the drivers side fender.



3. Using a 5/16" socket, ratchet and extension, remove one bolt from the factory coolant reservoir mount.



4. Assemble the Airaid Cool Air Dam (CAD) panels (#2, #3) using seven 6-32 x 5/16" screws (#6), #6 flat washers (#7), and 6-32 keps nuts (#8).



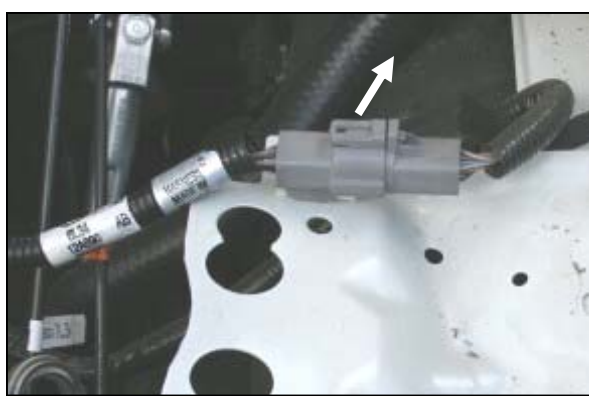
5. Insert three 1/4-20 x 7/8" bolts (#9), and 1/4" flat washers (#10) through the CAD. Place one bushing (#11) at each hole between the CAD and the filter adapter (#4). Next, secure the assembly using three 1/4" flat washers (#10), and 1/4-20 nuts (#12).



6. Install the supplied gasket (#13) onto the filter adapter.



7. Remove the two factory grommets from the factory airbox mounting plate.



8. 4.2L Engine Only: Using a flat blade screwdriver, carefully pry the MAF sensor wiring harness connector from the holes in the airbox mounting plate (do not disconnect it). Move the harness towards the firewall to allow room for the CAD to mount.



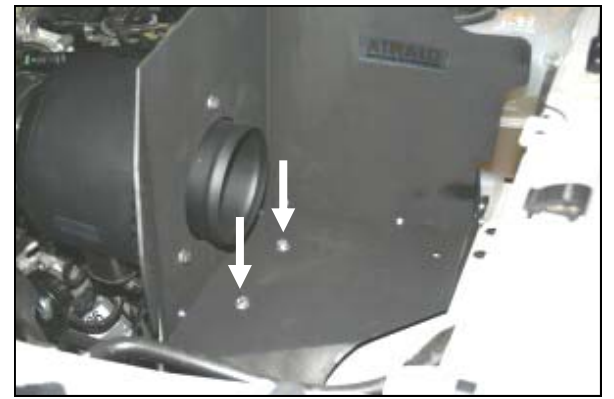
9. Slip two rubber grommets (#14) into the large holes in the factory airbox mounting plate, and then slide them sideways into the small holes as shown.



10. Install the CAD assembly into the vehicle. First, align the filter adapter with the factory MAF sensor housing, then, secure it with the factory clamp.



11. Align the hole in the CAD with the hole in the factory coolant reservoir mount. Insert one M6-1x25 hex bolt (#15) and 1/4" flat washer (#10) through the hole in the CAD, through the coolant reservoir mount, and into the speed nut below.



12. Insert two 1/4-20 x 7/8" bolts (#9) and 1/4" flat washers (#10) through the holes in the CAD and thru the grommets. On the underside of the factory airbox mounting plate, align the long/narrow bracket (#16), two 1/4" flat washers (#10), and two 1/4-20 nuts (#12) with the 1/4-20 x 7/8" bolts. Tighten the assembly securely.



13. Mount the Airaid Premium Filter (#1) onto the filter adapter and tighten the clamp.



14. Install the weather strip (#5) onto the top edge of the CAD as shown. (*Hint: start at one end and work your way around to the other.*)



15. Slip the black plastic hose mount (#17) over the radiator overflow hose. Next, place one 1/4" flat washer (#10) over the hole on the inner drivers side fender. Slide the hose mount prongs thru the fender and thru the washer to secure the overflow hose.

16. Double check your work!

Make sure there is no foreign material in the intake path. Make sure all clamps, hoses, bolts, and screws are tight.

17. Reconnect the negative battery cable!

Included with your Airaid Intake System is a sticker with a California Air Resources Board (C.A.R.B.) Executive Order (EO) number. This sticker must be placed in plain view inside of the engine compartment. Failure to do so may prevent you from passing a smog inspection.

Before!



After!



Thank you for purchasing the Airaid Intake System. Contact Airaid @ (800) 498-6951 8:00 AM - 5:00 PM MST weekdays for questions regarding fit or instructions that are not clear to you. Your Airaid Intake System was carefully inspected and packaged. Check that no parts are missing, or were damaged during shipping. If any parts are missing, contact Airaid. The air filter element is protected from direct exposure to water and debris; care should be taken not to drive through deep water. WATER INGESTION IS THE DRIVERS RESPONSIBILITY! The air filter is reusable and should be cleaned using the Airaid Filter Tune-Up Kit periodically.

Don't Forget Your AIRAID Filter Tune-Up Kit!



P/N 790-551 Aerosol Spray
P/N 790-550 Squeeze Spray



Instructions Revision
Date: 12/03/07