

AIR AID®

INTAKE SYSTEMS

Installation Instructions
 Part Number 300-125-1
 2002-05 (New Body Style) Dodge Ram
 3.7L, 4.7L, 5.7L, 5.9L

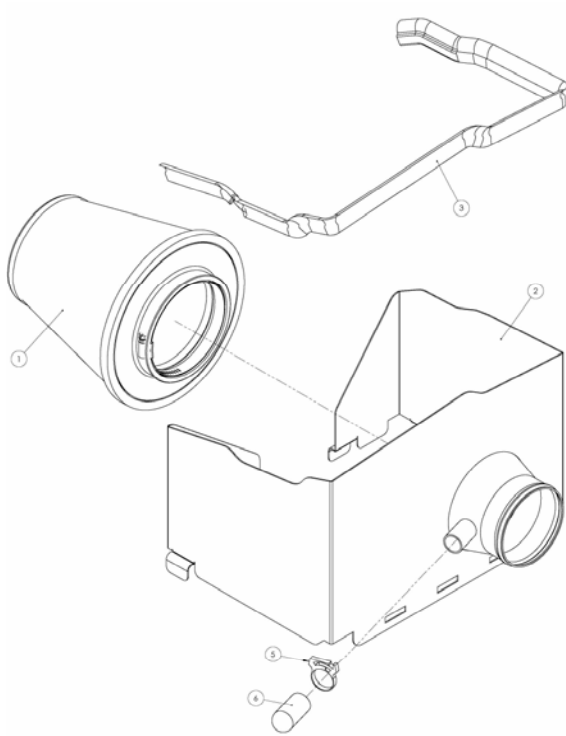
DOES NOT FIT 2006 AND NEWER DODGE RAM

Packing List:

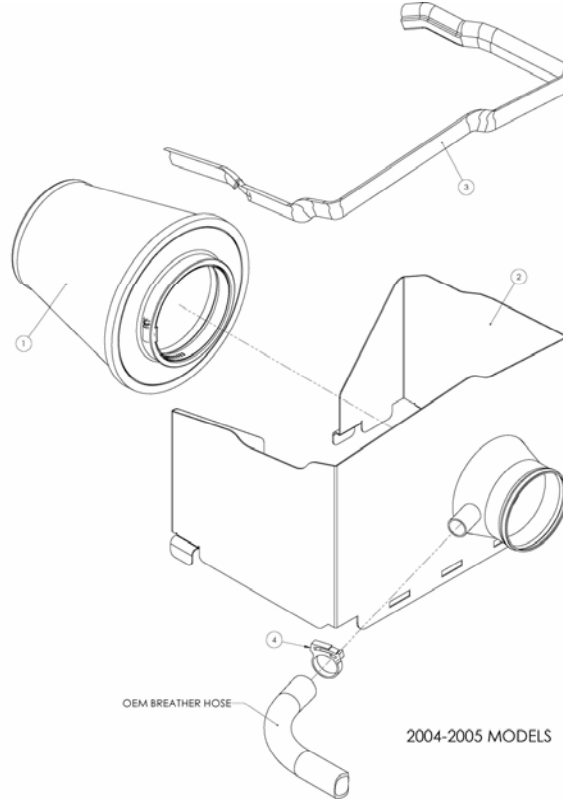
#1	700-445	Airaid Premium Filter	1
#2	KIT125-1DC	Cool Air Dam	1
#3	KITWSTRIP02	Weather Strip 33 1/4"	1
	KIT125-1HP	Hardware & Instructions	1
#4	KITSNP24GHS	#24 Speed Clamp	x1
#5	KITSNP19M4	#19 Speed Clamp	x1
#6	KIT125-1CAP	Black Rubber Cap	x1

Tools Required For Installation:

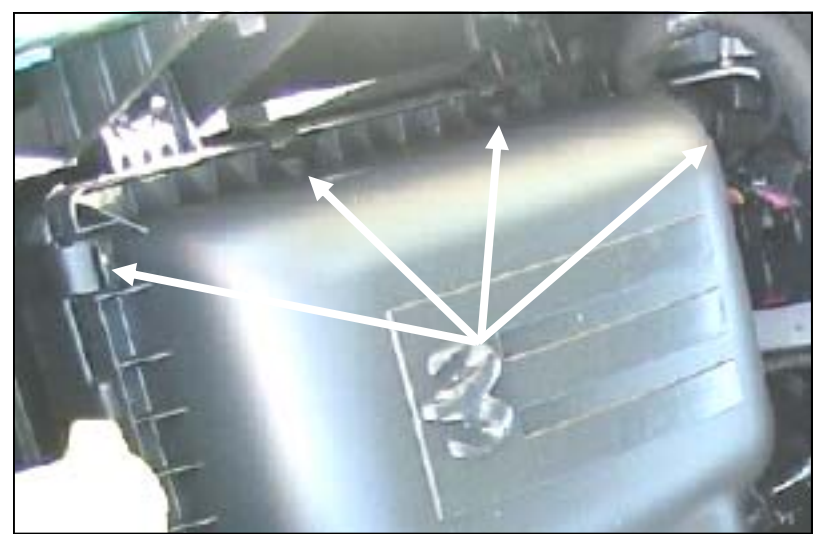
5/16" Socket
 Ratchet and Extension
 Flat Head Screwdriver



2002-2003 MODELS



2004-2005 MODELS

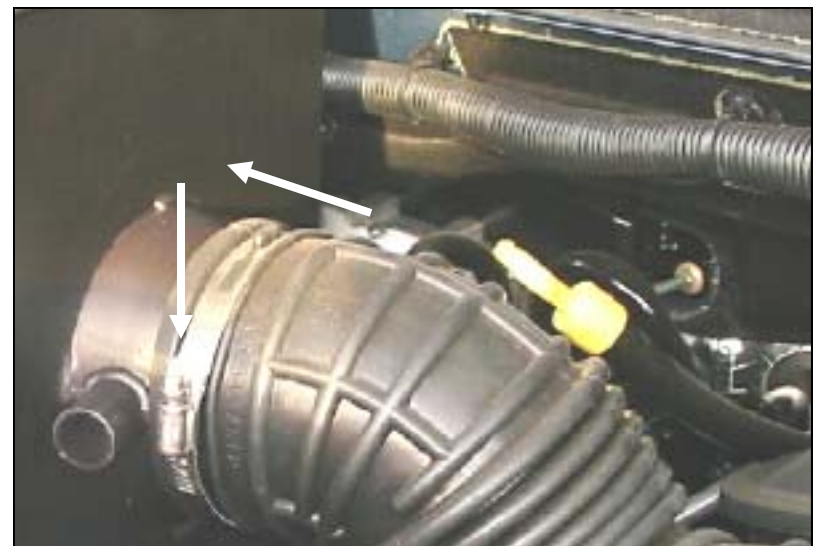


1. Disconnect the negative battery cable!
 Loosen the hose clamp on the factory airbox lid.
2004-05 Models Only: Disconnect the breather hose from the factory airbox lid.

2. Unlatch the four factory airbox clips, and then remove the airbox lid and air filter from the factory airbox base.



3. Position the Airaid Cool Air Dam (CAD) (#2) onto the factory airbox base. Relatch the factory clips onto the CAD.



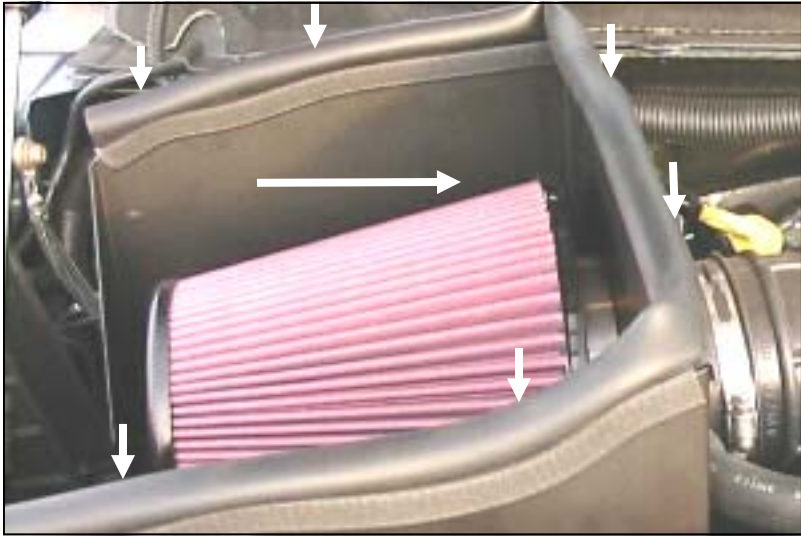
4. Reconnect the factory intake tube onto the CAD, and tighten the factory hose clamp.



5. 2002-2003 Models Only: Slip the black rubber cap (#6) over the nipple on the CAD and secure it using one #19 speed clamp (#5).



6. 2004-2005 Models Only: Reconnect the factory breather hose to the nipple on the CAD and secure it using one #24 speed clamp (#4).



7. Mount the Airaid Premium Filter (#1) onto the CAD and tighten the hose clamp. Install the weather strip (#3) onto the top of the CAD as shown. (Note: start at one end and work your way around to the other to insure proper alignment of the weather strip).

8. Double check your work!

Make sure there is no foreign material in the intake path. Make sure all clamps and hoses are tight.

9. Re-connect the negative battery cable!

Included with your Airaid Intake System is a sticker with a California Air Resources Board (C.A.R.B.) Executive Order (EO) number. This sticker must be placed in plain view inside of the engine compartment. Failure to do so may prevent you from passing a smog inspection.

Thank you for purchasing the Airaid Intake System. Contact Airaid @ (800) 498-6951 8:00 AM - 5:00 PM MST weekdays for questions regarding fit or instructions that are not clear to you. Your Airaid Intake System was carefully inspected and packaged. Check that no parts are missing, or were damaged during shipping. If any parts are missing, contact Airaid. The air filter element is protected from direct exposure to water and debris; care should be taken not to drive through deep water. WATER INGESTION IS THE DRIVERS RESPONSIBILITY! The air filter is reusable and should be cleaned using the Airaid Filter Tune-Up Kit periodically.

Before!



After!



Don't Forget Your AIRAID Filter Tune-Up Kit!



P/N 790-551 Aerosol Spray
P/N 790-550 Squeeze Spray



Instructions Revision
Date: 08/16/07