

AIR AID[®]

Shot Gun Intake SYSTEMS

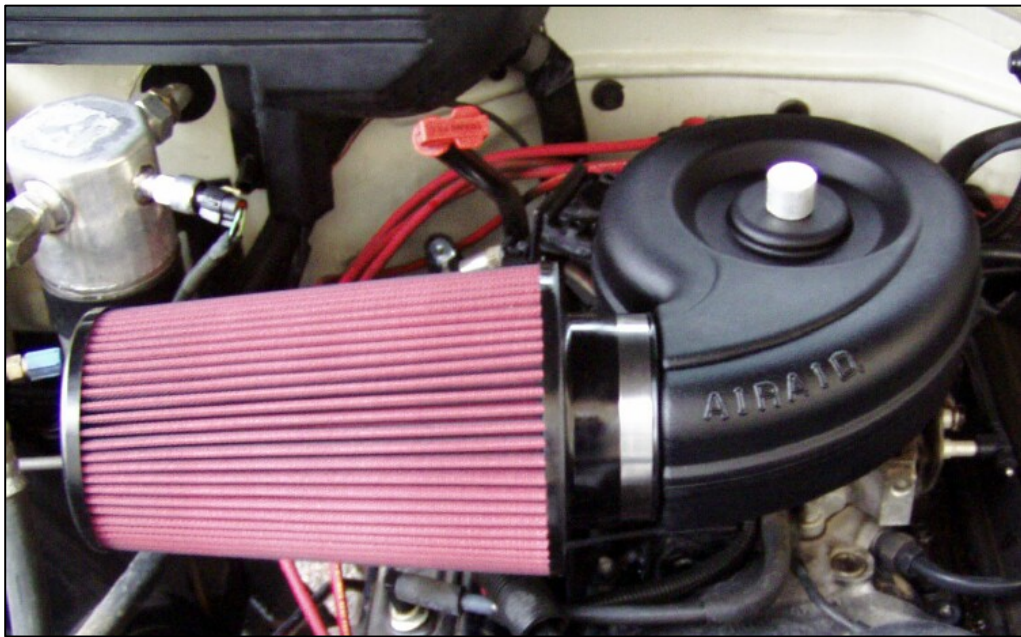
#200-700 INSTALLATION INSTRUCTIONS

SHOT GUN UNIVERSAL AIR INTAKE SYSTEM

(5 3/4" MINIMUM HOOD CLEARANCE REQUIRED)

Thank you for purchasing the Airaid Shot Gun Intake System. Please read the instruction manual carefully before proceeding with the installation. Contact Airaid @ 800-498-6951 8:00 AM – 5:00 PM MST weekdays for questions regarding fit or instructions that are not clear to you. Your Airaid Shot Gun Intake System was carefully inspected and packaged. Check that no parts are missing, or were damaged during shipping. If any parts are missing, contact Airaid.

THANK YOU FOR SELECTING AIRAID.



Packing List:

700-420	Airaid Premium Filter	1
KIT104H	Plastic "Hat"	1
KIT700HP	Hardware & Instructions	1
-KITGRMT01	Grommet Plug	1
-KIT104G	5.25" Gasket	1

Tools Required for this Installation:

Flat Blade Screwdriver



Installation Instructions. Read Me!

1. Disconnect negative battery cable. Remove original air filter assembly from carburetor or throttle body.
2. Install Airaid Shot Gun Hat on top of 5 1/4" carburetor or throttle body using the original air cleaner stud and bolt.
(Note: Some vehicles may require a longer stud in order to reach through the hat. A longer stud may be purchased at your local auto parts store or hardware store.)
3. Install Airaid filter on inlet of hat using the supplied hose clamp.
4. Double check your work to be certain that all nuts, bolts, and clamps are securely fastened.
(Note: Check for adequate hood clearance before closing hood. Minimum of 5 3/4" from carburetor or throttle body to hood is required.)
5. Reconnect the negative battery cable.

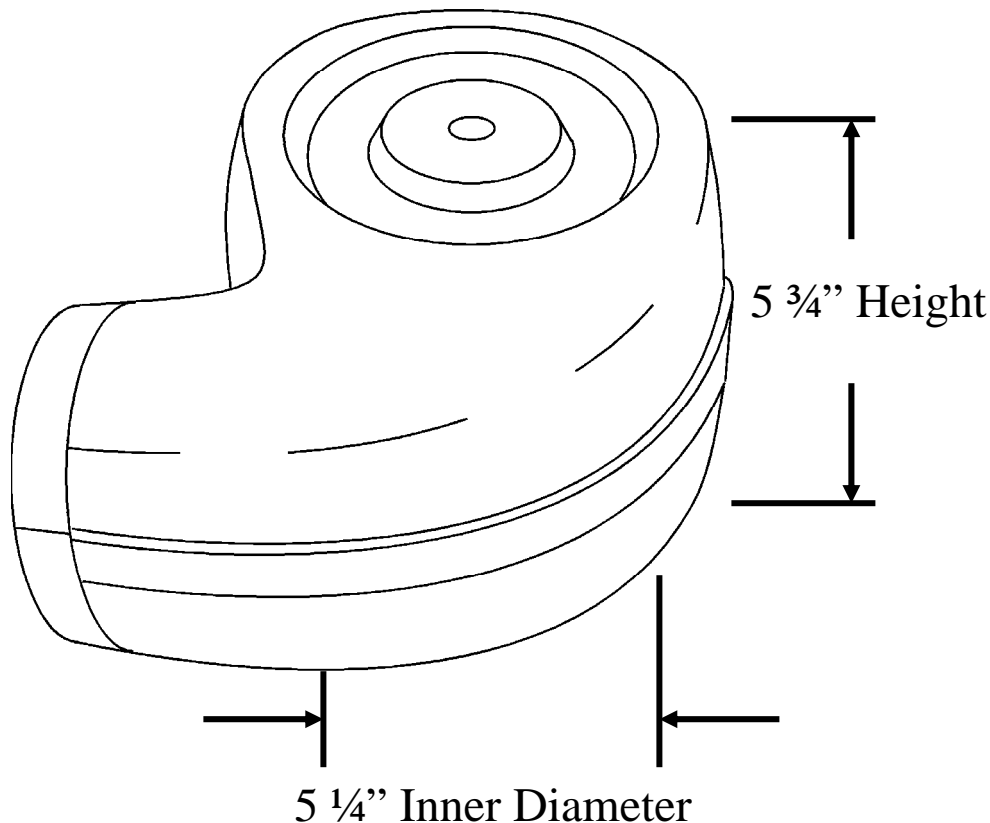
VEHICLE WARRANTY INFORMATION

Airaid Intakes and Filters will NOT void your vehicle's warranty. The federal Magnuson-Moss Warranty Act of 1975 states that the manufacturer can't void a vehicle's warranty because an aftermarket part is used. This is called a tie-in sale. Which means a manufacturer can't require the use of a certain brand of product. The only exception to this is the condition they provide the product for free. For assistance or more information the Federal Trade Commission can be contacted at 1-877-FTC-HELP (1-877-382.4357).

Don't Forget Your AIRAID Filter Tune-Up Kit!



P/N 790-550



Instructions Revision
Date: 6/29/04