



INTAKE SYSTEMS

Installation Instructions

Part Number 200-240

This Is Not A Complete Kit

This Is A Retro Fit Kit

To Be Used Only With Airaid Part # 200-102

1996-2000 GM Full Size Trucks & SUVs

4.3L, 5.0L, 5.7L Vortec Engines

Packing List:

#1	700-422	Airaid Premium Filter	1
#2	KIT102MAFC	MAF Panel	1
#3	KIT102BPC	Bottom Panel	1
#4	KIT102EPC	End Panel	1
#5	KITWSTRIP02	Weather Strip 25 1/4"	1
	KIT240HP	Hardware & Instructions	1
#6	KIT09FWZ019	1/4" Flat Washer	1
#7	KIT6NWSAPZ	#6 Flat Washer	9
#8	KIT6C31MXPPZ	6-32 x 5/16" Phillips Screw	9
#9	KIT6CNKEPZ	6-32 Keps Nut	9
#10	KIT31C100HCS5	5/16-18 x 1" Hex Bolt	2
#11	KIT25NWUSPZ	5/16" Flat Washer	2
#12	KIT31CNNEPZ	5/16" Nylock Nut	2
#13	KIT25C50HCSS	1/4-20 x 1/2" Hex Bolt	1
#14	KIT1420WZZF	1/4-20 Serrated Nut	1
#15	KITX1011	Rubber Trim 12 1/2"	1

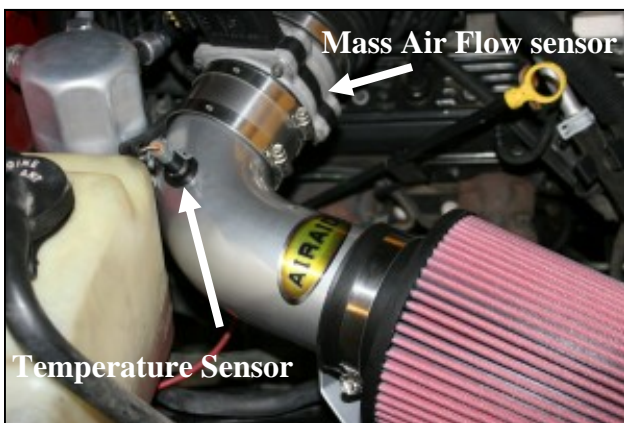
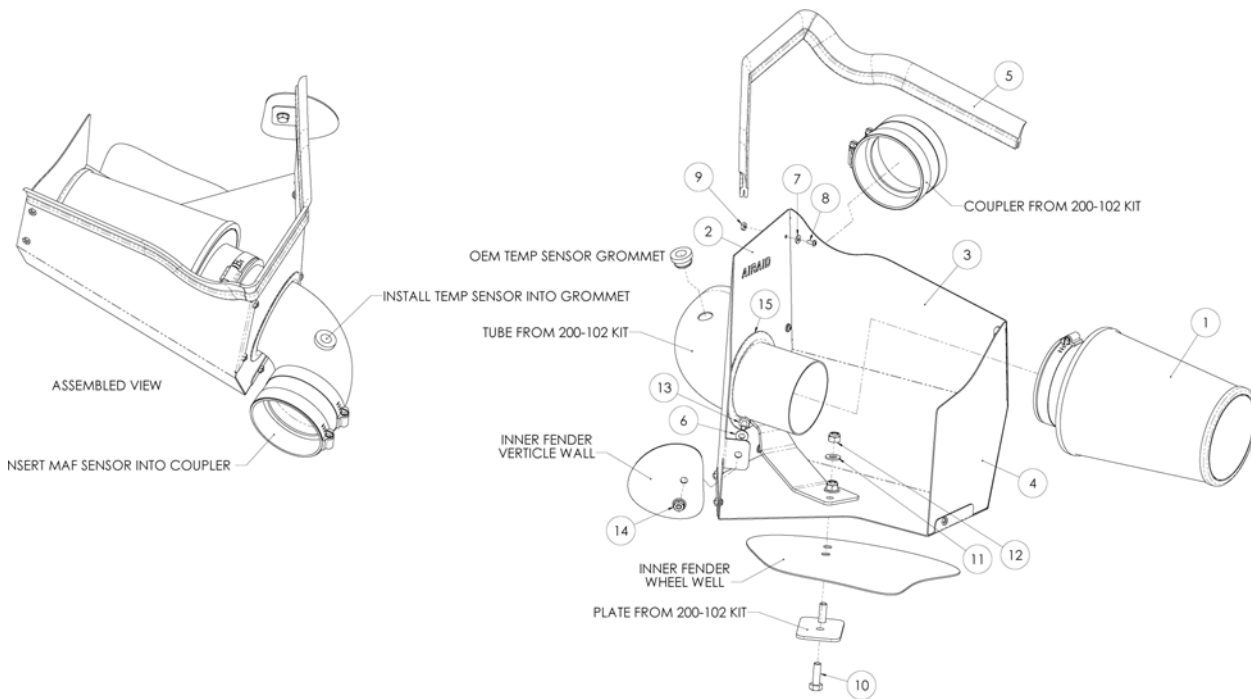
Tools Required For Installation:

5/16", 7/16", 1/2" Sockets

Ratchet & Extension

7/16", 1/2" Wrenches

Phillips Screwdriver



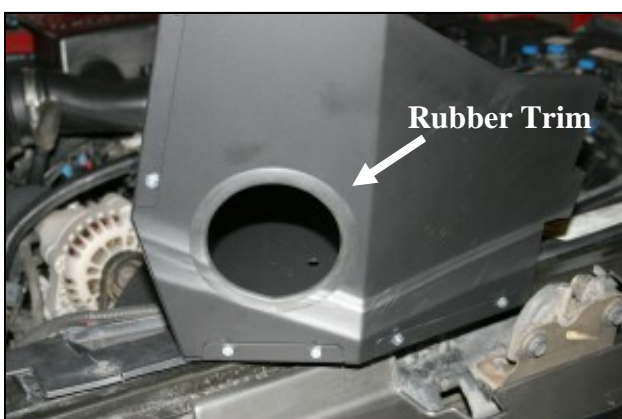
1. **Disconnect the negative battery cable.** **VERY CAREFULLY!** Remove the air intake temperature sensor first, and then the grommet from the air intake tube and set them aside. *There is no need to disconnect the wiring harness on the temp sensor.*

Loosen the two hose clamps on the stainless steel coupler that connects the air intake tube to the Mass Air Flow (MAF) sensor.

Loosen the hose clamp on the air filter and remove it from the vehicle.

2. Remove the two nuts and washers from the bolts that secure the air intake tube to the inner fender. Save the 3" x 2" plate from the bottom of the fender for reinstallation in step #7. Remove the intake tube from the vehicle.

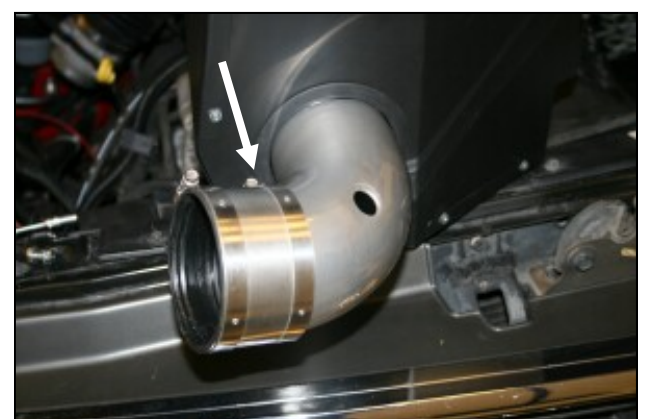
3. Assemble the three Cold Air Dam (CAD) panels (#s 2, 3, &4) as shown using nine 6-32 screws (#8), nine #6 washers (#7), and nine nuts (#9).



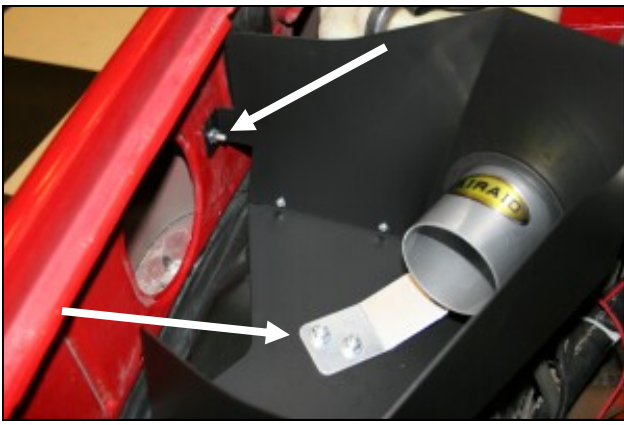
4. Install the supplied rubber trim (#15) into the hole in the MAF Panel (#2) as shown.



5. Insert the air intake tube that was removed in step #1 thru the hole in the MAF panel and then rotate it clockwise so that the holes in the bracket on the tube line up with the two holes in the bottom panel.



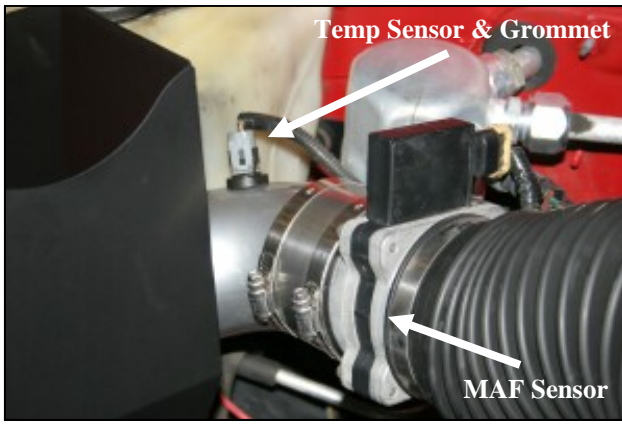
6. Install the stainless steel coupler removed in step #1 onto the air intake tube and tighten *only* the hose clamp on the tube.



7. Install the CAD/Tube assembly into the vehicle as shown using two supplied 5/16" x 1" bolts (#10) thru the 3" x 2" plate (saved from step #2) up thru the fender well, thru the CAD, and thru the bracket on the intake tube, secured with two supplied 5/16" flat washers (#11) and two 5/16" nylock nuts (#12). Next secure the CAD to the side fender well using one 1/4" hex bolt (#13), 1/4" flat washer (#6), and 1/4" serrated nut (#14). Refer to the line drawing above if needed.

10. Double check your work!

Make sure there is no foreign material in the intake path. Make sure all clamps, hoses, bolts, nuts, connectors, and screws are tight.



8. Connect the MAF sensor to the stainless steel coupler and tighten the hose clamp. Install the factory grommet removed in step #1, into the hole in the Airaid intake tube. **VERY CAREFULLY** install the factory temperature sensor into the grommet.

11. Reconnect the negative battery cable!



9. Install the Airaid Premium Filter (#1) onto the Airaid intake tube as shown, and then tighten the hose clamp. Next, install the weather strip on top of the CAD, starting at the right fender working your way towards the front of the vehicle.

Before!



After!



Thank you for purchasing the Airaid Intake System. Contact Airaid @ (800) 498-6951 8:00 AM - 5:00 PM MST weekdays for questions regarding fit or instructions that are not clear to you. Your Airaid Intake System was carefully inspected and packaged. Check that no parts are missing, or were damaged during shipping. If any parts are missing, contact Airaid. The air filter element is protected from direct exposure to water and debris; care should be taken not to drive through deep water. WATER INGESTION IS THE DRIVERS RESPONSIBILITY! The air filter is reusable and should be cleaned using the Airaid Filter Tune-Up Kit periodically.

Don't Forget Your AIRAID Filter Tune-Up Kit!



P/N 790-551 Aerosol Spray
P/N 790-550 Squeeze Spray



Instructions Revision
Date: 07/20/09