

AIR AID®

INTAKE SYSTEMS

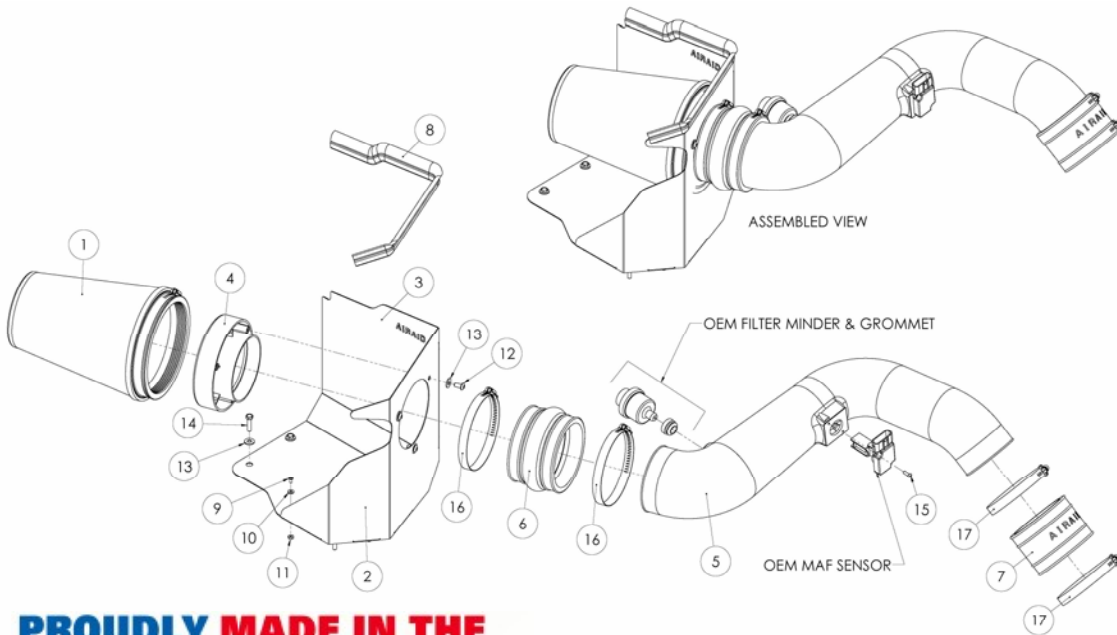
Installation Instructions
Part Number 200-154
2004 Chevy HD Truck
04-05 GMC HD Truck
Duramax Diesel High Output "LLY"

Packing List:

#1	700-469	Airaid Premium Filter	1
#2	KIT1121MAFC	Front Cool Air Dam Panel	1
#3	KIT1121RRDAMC	Rear Cool Air Dam Panel	1
#4	KIT1121MAFADA	Filter Adapter	1
#5	KIT154T	Airaid Intake Tube	1
#6	KITHUMPHS05	Urethane Hump Hose	1
#7	KITCOUPLER01	Urethane Coupler	1
#8	KITWSTRIP02	Weather Strip 19 1/2"	1
	KIT154HP	Hardware & Instructions	1
#9	KIT6C31MXPZ	6-32 x 5/16" Screw	5
#10	KIT6NWSAPZ	#6 Flat Washer	5
#11	KIT6CNKEPZ	6-32 Keps Nut	5
#12	KIT15DHC3050	1/4-20 x 1/2" Button Head Bolt	3
#13	KIT09FWZ019	1/4" Flat Washer	7
#14	KIT60C250HCS	M6-1x25 Hex Bolt	4
#15	KIT10BHCP50	8-32 x 1/2" Button Head Screw	2
#16	KITHS72	#72 Hose Clamp	2
#17	KITHS60	#60 Hose Clamp	2
	KITBIT#T20	T20 Security Bit	1

Tools Required For Installation:

Flat Head Screwdriver
 8mm, 10mm Socket
 Ratchet & Extension
 3/32", 5/32" Allen Wrench
 #T20 Security bit (Included)



1. Disconnect the negative battery cable. Disconnect the Mass Air Flow (MAF) sensor wiring harness. Using the supplied T-20 Security bit, remove the two screws and the Mass Air Flow sensor from the tube (save the sensor for reuse). Loosen the hose clamps on each end of the factory intake tube assembly.



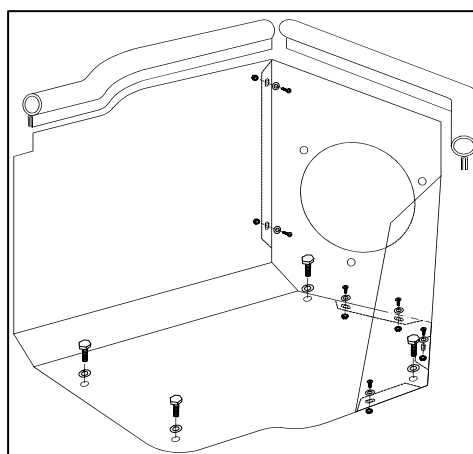
2. Remove the factory filter minder and grommet.



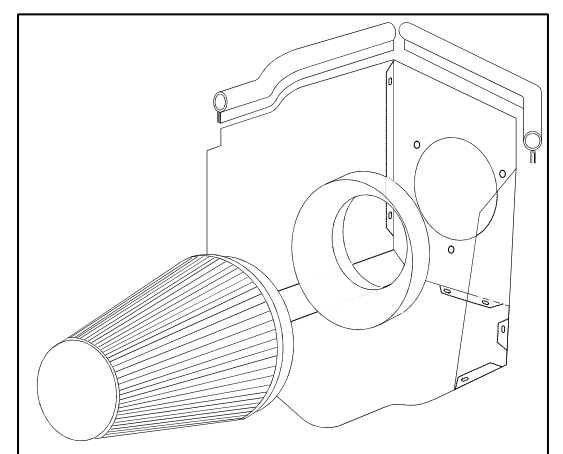
3. Remove the factory intake tube assembly from the engine. Rock the factory air box back and forth and remove it from the vehicle. There are only grommets holding it in, no bolts.



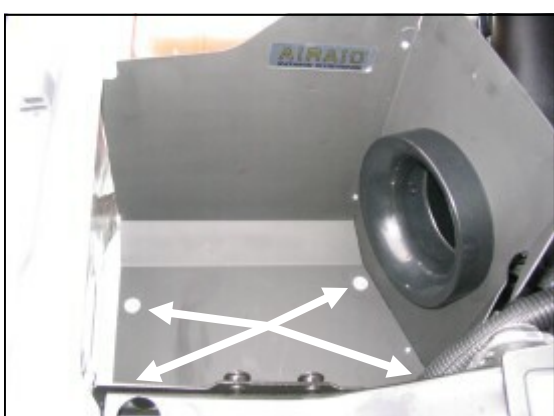
4. Using a 10mm socket, remove the five bolts and mounting plate from the engine compartment.



5. Assemble the Airaid Cool Air Dam panels (#2, #3) using five 6-32 x 5/16" screws (#9), #6 flat washers (#10) and 6/32 keps nuts (#11).



6. Using three 1/4-20 x 1/2" button head bolts (#12) and 1/4" flat washers (#13), install the filter adapter (#4) on the Airaid Cool Air Dam.



7. Install the Airaid Cool Air Dam assembly in the engine compartment using four M6-1x25 hex bolts (#14) and 1/4" flat washers (#13).



8. Using two 8-32 x 1/2" button head screws (#15) install the factory MAF sensor in the Airaid intake tube (#5) **DO NOT USE THE FACTORY SCREWS!** (Note: Sensor must be installed in the direction shown in picture.)



9. Install the factory rubber grommet and air filter minder into the Airaid intake tube.



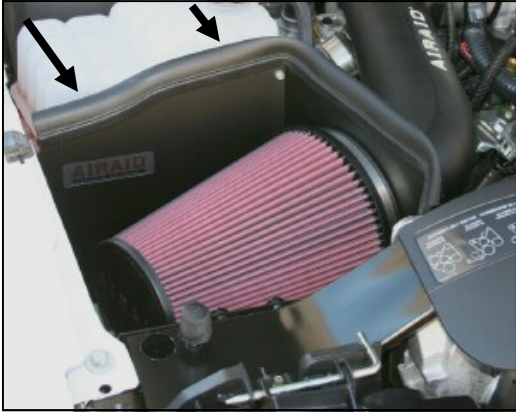
10. Install the urethane hump hose (#6) and two #72 hose clamps (#16) onto the large end of the Airaid intake tube. (*Note: Leave hose clamps loose until final assembly.*)



11. Install the urethane coupler (#7) and two #60 hose clamps (#17) onto the small end of the Airaid intake tube. (*Note: Leave hose clamps loose until final assembly.*)



12. Install the Airaid intake tube assembly onto the engine. Install the hump hose onto the filter adapter first and then slip the coupler end of the tube onto the aluminum intake tube. Adjust for fit, and tighten the hose clamps. (*Note: There should be a gap in between the Airaid intake tube and the air filter adapter.*)



13. Install the Airaid filter (#1) onto the filter adapter, and tighten the hose clamp. Install the weather strip (#8) on the top of the Airaid Cool Air Dam as shown. Reconnect the MAF sensor wiring harness. (*Note: Start from one corner and work your way around to insure proper alignment of the weather strip.*)

14. Double check your work!

Make sure there is no foreign material in the intake path. Make sure all clamps, hoses, bolts, and screws are tight.

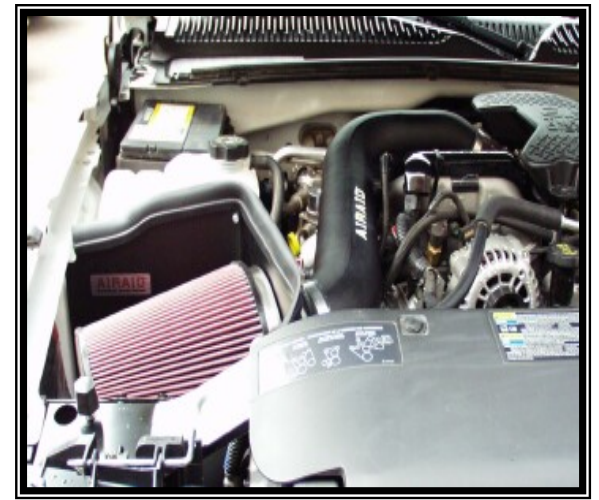
15. Reconnect the negative battery cable!

Included with your Airaid Intake System is a sticker with a California Air Resources Board (C.A.R.B.) Executive Order (EO) number. This sticker must be placed in plain view inside of the engine compartment. Failure to do so may prevent you from passing a smog inspection.

Before!



After!



Thank you for purchasing the Airaid Intake System. Contact Airaid @ (800) 498-6951 8:00 AM - 5:00 PM MST weekdays for questions regarding fit or instructions that are not clear to you. Your Airaid Intake System was carefully inspected and packaged. Check that no parts are missing, or were damaged during shipping. If any parts are missing, contact Airaid. The air filter element is protected from direct exposure to water and debris; care should be taken not to drive through deep water. WATER INGESTION IS THE DRIVERS RESPONSIBILITY! The air filter is reusable and should be cleaned using the Airaid Filter Tune-Up Kit periodically.

Don't Forget Your AIRAID Filter Tune-Up Kit!



P/N 790-551 Aerosol Spray
P/N 790-550 Squeeze Spray

Instructions Revision
Date: 11/06/07