



100-702 INSTALLATION INSTRUCTIONS 2 BBL HOLLEY 2300 Series, Motorcraft OE

Thank you for purchasing the PowerAid Throttle Body Spacer. Please read the instruction manual carefully before proceeding with the installation. Contact AIRAID @ (800) 498-6951 8:00 AM - 5:00 PM MST Weekdays for questions regarding fit or instructions that are not clear to you. Your PowerAid Throttle Body Spacer was carefully inspected and packaged. Check that no parts are missing, or were damaged during shipping. If any parts are missing, please contact AIRAID.

Thank you for selecting AIRAID.



Parts List

- (1) Power Plate
- (2) Gaskets
- (4) 5/16-18" x 2 1/4" Bolts
- (4) 5/16" Flat Washers

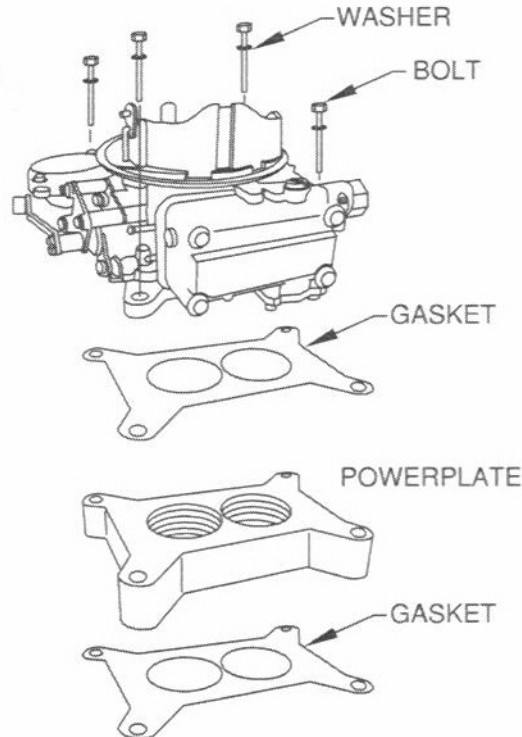
Tools List

- 1/2" Socket

Installation Instructions. Read Me!

1. **DISCONNECT NEGATIVE (-) BATTERY CABLE.**
2. Remove air cleaner
3. Remove (4) bolts.
4. Remove carburetor.
5. Remove gasket and clean surfaces.
6. Install power plate with (2) gaskets
 - A. Install one gasket between carburetor and power plate.
 - B. Install one gasket between power plate and manifold.
7. Install (4) 5/16-18" x 2 1/4" bolts and (4) 5/16" flat washers, using **Step #2** as an example.
8. Inspect & Test throttle linkage for full Open & Closed travel before driving. Some cruise or kickdown cables may require adjustment. Please refer to your vehicles service manual for proper adjustment.
9. Reinstall the air cleaner.
10. Reconnect battery cable. Enjoy!

The sound of power...The "whistle" means its working!



Rev. 02-05-07